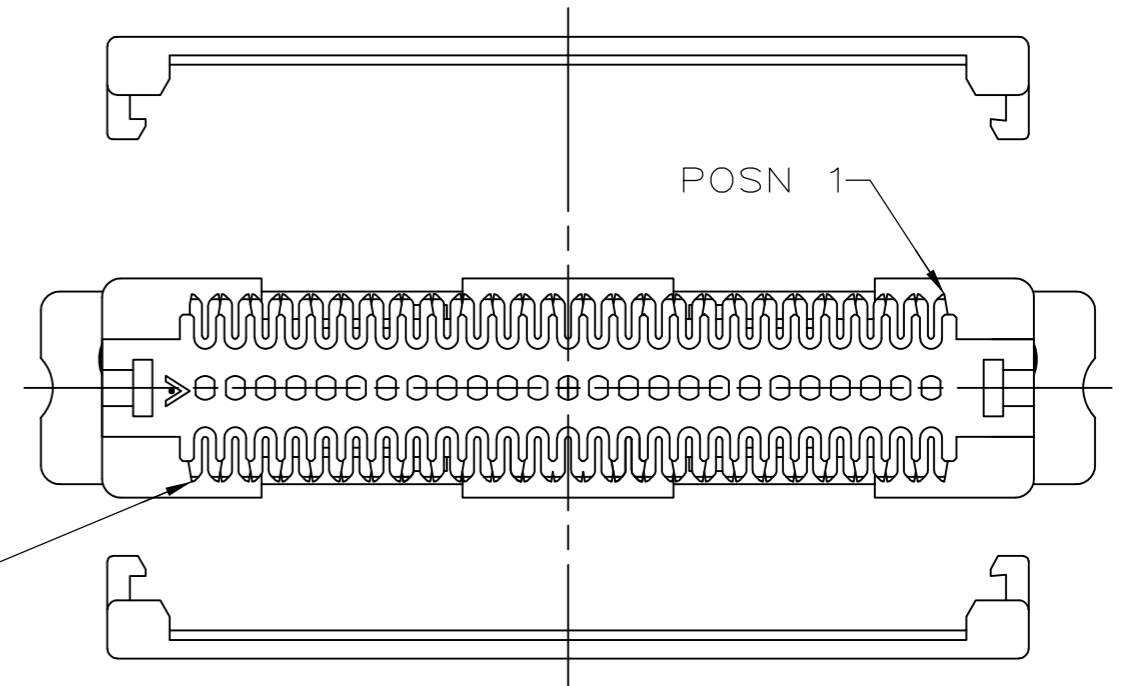
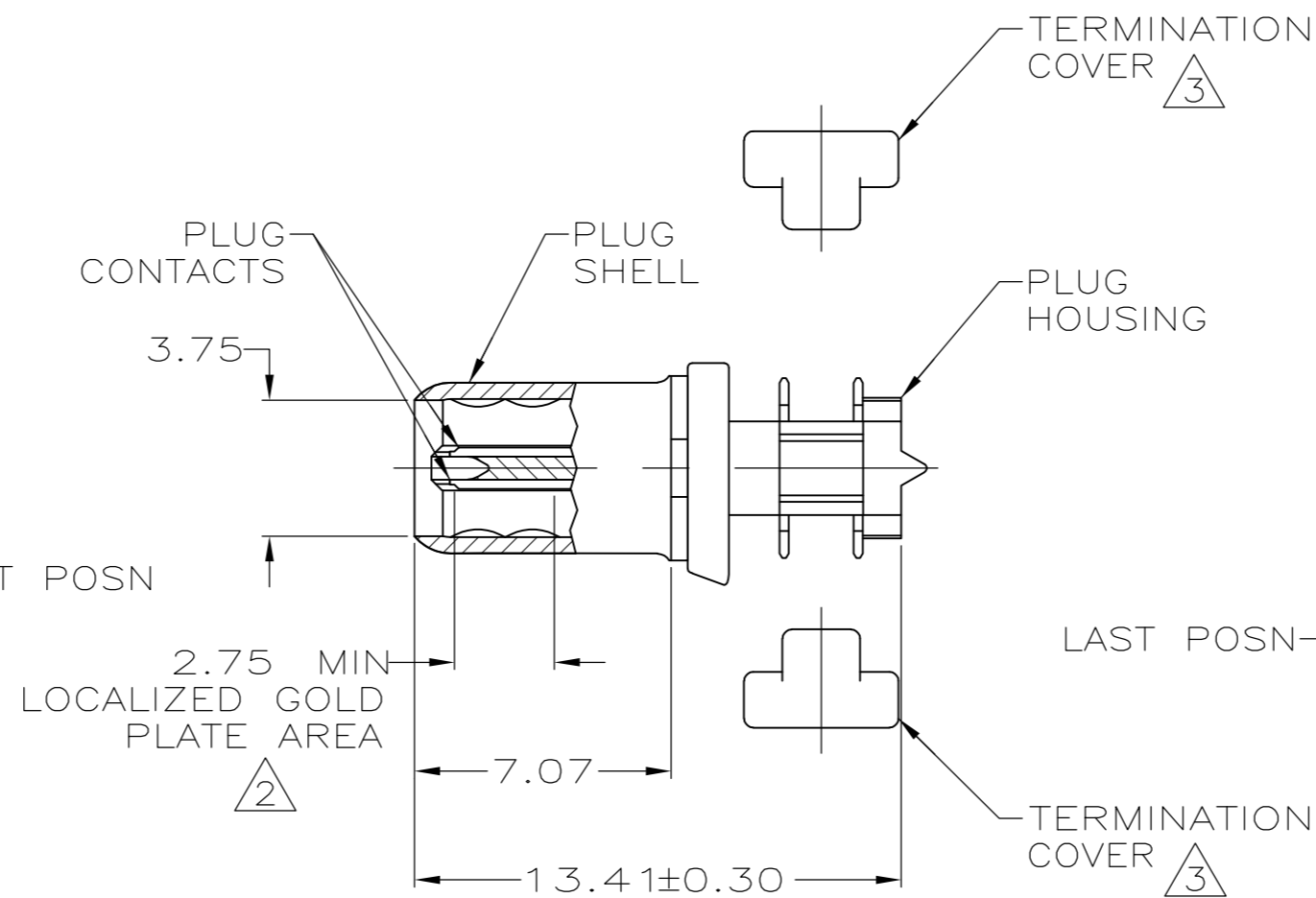
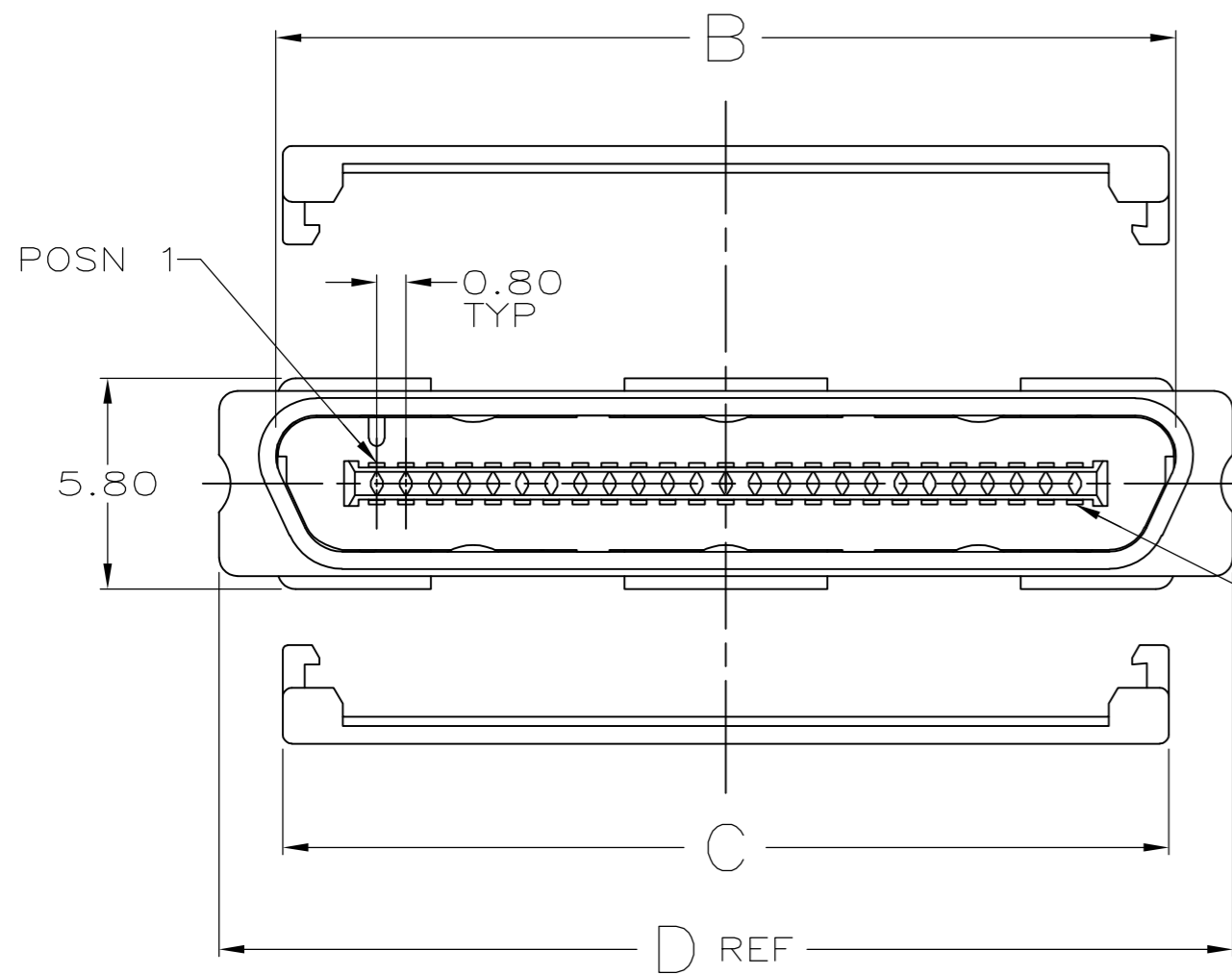
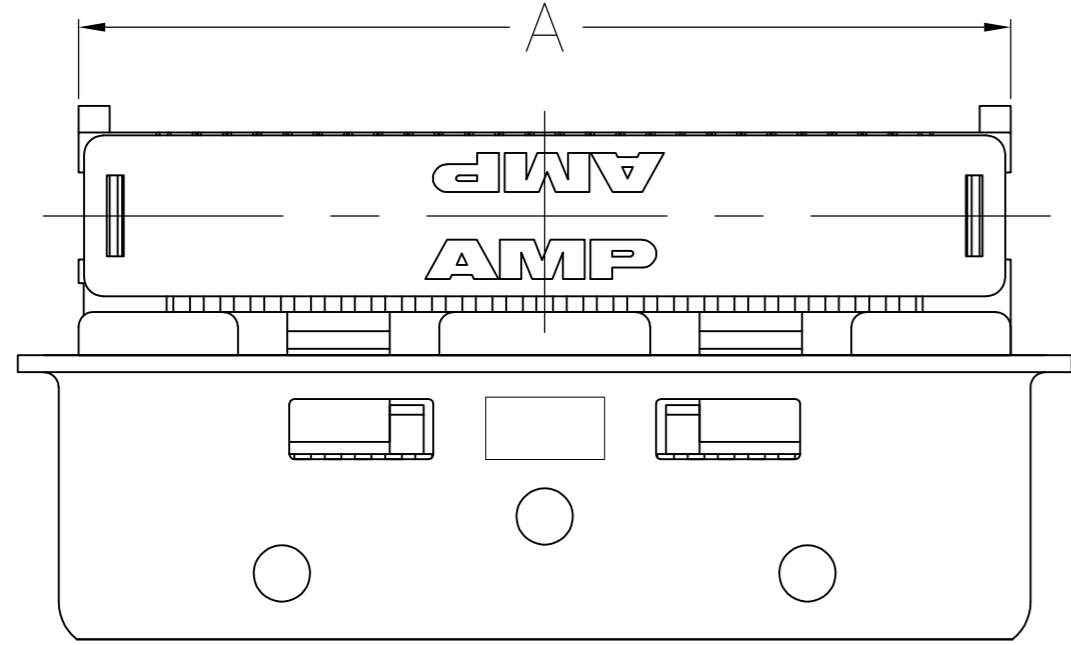


THIS DRAWING IS UNPUBLISHED. RELEASED FOR PUBLICATION
 © COPYRIGHT - By - ALL RIGHTS RESERVED.

LOC		DIST		REVISIONS			
GP	00	P	LTR	DESCRIPTION	DATE	DWN	APVD
		P		REVISED PER ECO-11-004835	11MAR11	RK	HMR



- 1 MATERIAL:
 - PLUG CONTACTS - PHOSPHOR BRONZE.
 - PLUG SHELL - STEEL.
 - PLUG HOUSING - UL 94V-0 RATED LCP, COLOR: NATURAL.
 - TERMINATION COVERS - ABS/POLYCARBONATE ALLOY MOLDING COMPOUND, COLOR: BLACK.
- 2 TERMINATION COVERS ARE PACKAGED SEPARATELY.
- 3. RECOMMENDED WIRE: 30 AWG WITH A 0.56-0.64 INSULATION DIAMETER, WIRE MUST BE APPROVED BY AMP ENGINEERING.
- 4 FINISH:
 - PLUG CONTACTS - 0.76µm MINIMUM GOLD PLATE IN LOCALIZED GOLD PLATE AREA, 1.27µm MINIMUM BRIGHT TIN PLATE IN TERMINATION AREA, ALL OVER 1.27µm MINIMUM NICKEL.
 - PLUG SHELL - 5.08µm MINIMUM NICKEL OVER 1.27µm MINIMUM COPPER.

35.08	31.57	31.95	31.85	68	5787131-3
22.28	18.77	19.15	19.05	36	5787131-2
27.88	24.37	24.75	24.65	50	5787131-1
D	C	B	A	POSN	PART NUMBER

THIS DRAWING IS A CONTROLLED DOCUMENT.		DWN J. ALCORTA - 07-28-05	TE Connectivity	
DIMENSIONS: mm		CHK S. SHUEY 07-28-05	NAME M. WALMSLEY	
TOLERANCES UNLESS OTHERWISE SPECIFIED:		APVD M. WALMSLEY 07-28-05	PRODUCT SPEC 108-1471	
0 PLC ± -		APPLICATION SPEC		
1 PLC ± -		SIZE A2		
2 PLC ± 0.13		CAGE CODE 00779		
3 PLC ± -		DRAWING NO C=5787131		
4 PLC ± -		RESTRICTED TO		
ANGLES ± 3°		SCALE 5:1		
MATERIAL		SHEET 1 of 1		
FINISH		REV P		
CUSTOMER DRAWING				

5787131